

# Loadlink plus



Optional connection to Straightpoint's Handheld plus (SU3343) or Straightpoint's Desktop controller data logging software package (DCP10M).

Known worldwide as the original electronic force measurement device to feature an integral display, the Loadlink plus has been in production since 1979. Over the years the line has been expanded and the Loadlink plus is now used on a daily basis for load monitoring and heavy lifts ranging in capacity from 1t to 300t, by a variety of industrial and commercial industries including manufacturing, transportation, agriculture, oil and gas, utilities, aerospace and clean energy.

This latest version of the well-known product has advanced features and benefits providing solutions for today's complicated load test and force monitoring needs. The Loadlink plus features full function push button controls for tare, choice of units (lbs, kg, kN, and tonnes), peak hold, preset tare, audible set-point alarm and an overload counter.

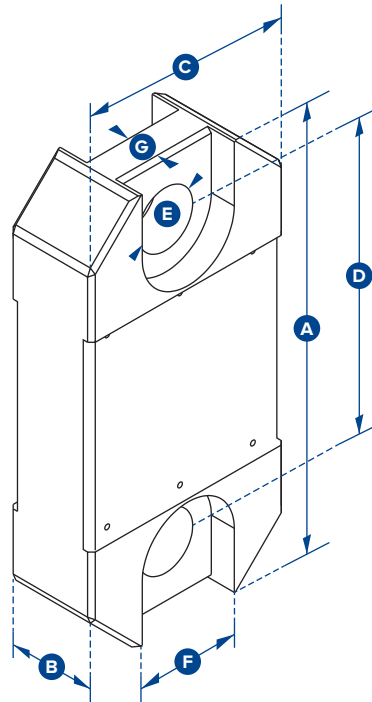
The advanced microprocessor based electronics provide the Loadlink plus with high speed read rates (500/sec), extreme resistance to industrial level noise and unprecedented stability. This high stability gives the Loadlink plus over 5,000 divisions and the highest standard resolution of any digital dynamometer on the market today. Constructed of high-grade aircraft quality aluminium, Straightpoint's advanced internal design structure allows the product to once again top the charts with an unmatched weight to strength ratio. Straightpoint's link style dynamometers are on average 30% lighter than our closest competitor with the same safety rating.

## Features and benefits:

- Large 25mm/1" LCD display
- High accuracy
- Selectable units te, lbs, kN & kg
- High resolution
- 100Hz Peak hold
- Push button tare
- Light weight
- Preset tare
- Overload counter
- 90db Audible set point alarm
- RS-485 serial output
- Design validated by F.E.A.



making the lifting industry a safer place



Part Number	LLP1T	LLP2T5	LLP5T	LLP12T	LLP25T	LLP35T	LLP50T	LLP75T	LLP100T	LLP150T	LLP200T	LLP250T	LLP300T
Capacity	1,000kg 2200lb	2.5te 5500lb	5te 11000lb	12te 26000lb	25te 55000lb	35te 77000lb	50te 110000lb	75te 165000lb	100te 220000lb	150te 330000lb	200te 440000lb	250te 550000lb	300te 660000lb
Resolution	0.5kg 1lb	0.001te 2lb	0.001te 2lb	0.002te 5lb	0.005te 10lb	0.005te 10lb	0.01te 20lb	0.01te 20lb	0.05te 100lb	0.05te 100lb	0.1te 200lb	0.1te 200lb	0.1te 200lb
Units	kg lb	te lb	te lb	te lb	te lb	te lb	te lb	te lb	te lb	te lb	te lb	te lb	te lb
Weight	1.4kg 3.1lb	1.4kg 3.1lb	2kg 4.4lb	3.2kg 7.1lb	5kg 11lb	8.6kg 19lb	11.5kg 25.3lb	16kg 35.3lb	34kg 75lb	46kg 101.4lb	72kg 158.7lb	72kg 158.7lb	118kg 260lb
Safety Factor	12:1	5:1	5:1	5:1	5:1	5:1	5:1	5:1	5:1	4:1	5:1	4:1	5:1
Battery Type	9v PP3												
Battery Life	80 hours continuous												
Display Type	6 digit 25mm / 1" LCD												
Operating Temp	-10°C to +50°C / 14°F to 122°F												
Accuracy	± 0.3% of applied load												
Protection	IP65 / NEMA 4X												
Dimension A	204 8.03"	204 8.03"	249 9.80"	305 12.01"	340 13.39"	393 15.47"	424 16.69"	470 18.50"	608 23.94"	670 26.38"	700 27.56"	700 27.56"	806 31.73"
Dimension B	43 1.69"	43 1.69"	43 1.69"	47 1.85"	60 2.36"	75 2.95"	75 2.95"	75 2.95"	99 3.90"	99 3.90"	144 5.67"	144 5.67"	150 5.91"
Dimension C	101 3.98"	101 3.98"	101 3.98"	101 3.98"	115 4.53"	126 4.96"	163 6.42"	202 7.95"	255 10.04"	303 11.93"	320 12.60"	320 12.60"	426 16.77"
Dimension D	146 5.75"	146 5.75"	165 6.50"	193 7.60"	215 8.46"	225 8.86"	230 9.06"	260 10.24"	320 12.60"	360 14.17"	350 13.78"	350 13.78"	350 13.78"
Dimension ØE	24.5 0.96"	24.5 0.96"	38 1.50"	47.5 1.87"	55 2.17"	60 2.36"	76 2.99"	76 2.99"	109 4.29"	109 4.29"	132 5.20"	132 5.20"	160 6.30"
Dimension F	48 1.89"	48 1.89"	66 2.60"	Not relevant in this capacity									
Dimension G	19 0.75"	19 0.75"	32 1.26"										
Crosby Shackle	G2130						G2140						
Loading Pin Ø	19 3/4"	19 3/4"	25 1"	35 1 3/8"	51 2"	57 2 1/4"	57 2 1/4"	70 2 3/4"	83 3 1/4"	95 3 3/4"	121 4 3/4"	127 5"	152 6"